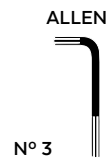


KAWASAKI Z900 '17-

M O U N T I N G I N S T R U C T I O N S

REF 20706

REAR SEAT COWLS



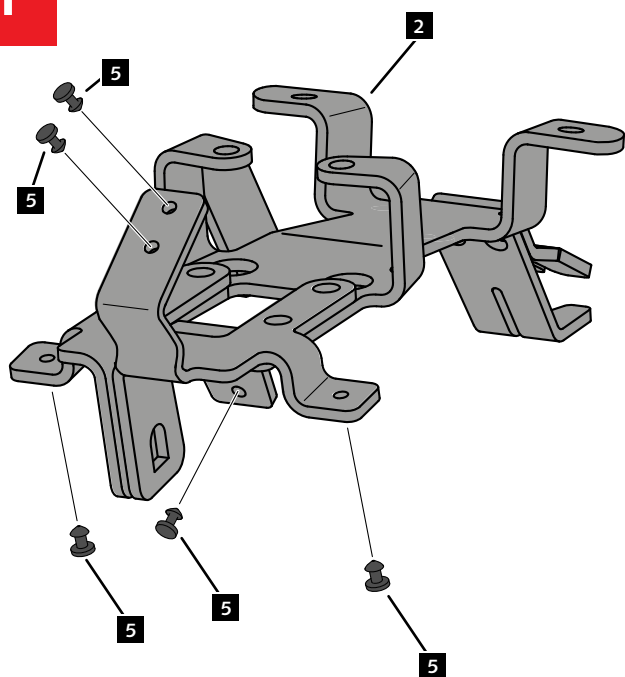
THE SAME INSTALLATION AS ORIGINAL PASSENGER'S SEAT

ID.	PIEZA/PART	DESCRIPCIÓN	DESCRIPTION	QTY.	REF.:
1		Colin (ABS)	Rear seat cowl (ABS)	1	20706J/CM3
2		Soporte aluminio	Aluminum support	1	SOPOR4P12-20706
3		Silentblock M5	M5 silentblock	4	SILENBTM5-046/1
4		Tornillo allen M5x16 Ø11 ISO 7380	M5x16 Ø11 ISO 7380 allen screw	4	TORNI-I7380-493
5		Tope de goma Ø3,7-3,8 x 3,2mm	Ø3,7-3,8 x 3,2mm bumper foot	5	TOPE--POF-40022
6		Espuma	Foam	1	ESPUMA----20706

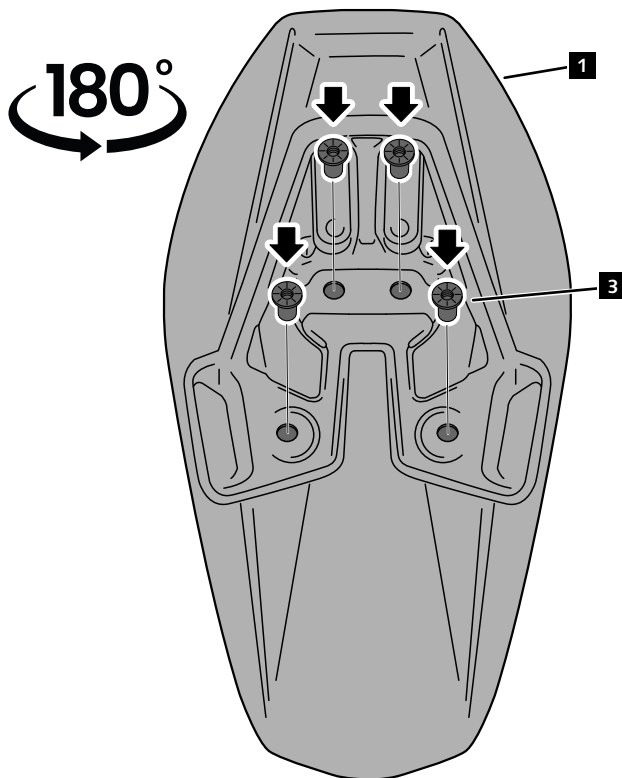
KAWASAKI Z900 '17-

INSTRUCCIONES DE MONTAJE - MOUNTING INSTRUCTIONS - MONTAGEANLEITUNG

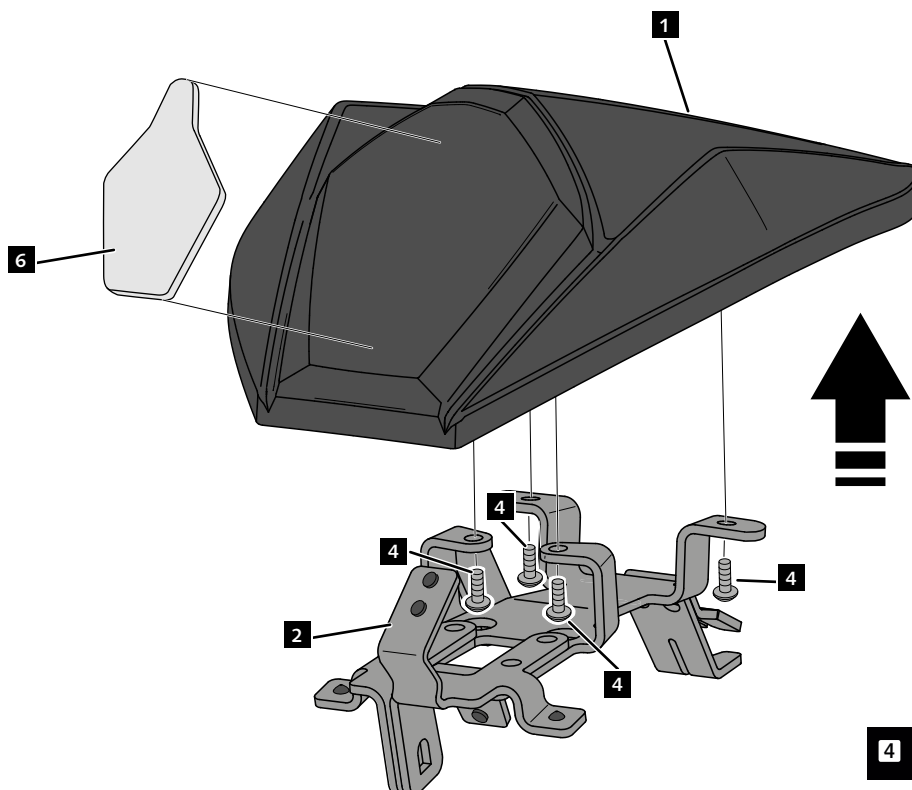
1




2



3



4  Par de apriete: 2.5 Nm
Tightening torque 2.5 Nm